

## DATA SHEET

# D608 4X4 OUTDOOR MIMO ANTENNA

Q8N51A

ANT-4x4-D608 is a multi polarized antenna with 60° H x 60° V beamwidths. This antenna is well suited for 2.4 and 5 GHz sector coverage for access.

### FREQUENCY/MIN GAIN

- 4.9-6.0 GHz/7.5 dBi min
- 2.4-2.5 GHz/7.7 dBi min

### DIMENSIONS

- 197.5 x 197.5 x 34.5 mm (7.5 x 7.5 x 1.2 inches)  
exclusive of connectors

### POLARIZATION

- V, H, and slant +/- 45°

### UNPACKAGED WEIGHT

- Antenna: 526g (1.16 lbs)
- Bracket: 922g (2.03 lbs)

### BEAMWIDTH

- Horizontal plane: 60°
- Vertical plane: 60°

### HOUSING

- Backplate: Aluminum
- Radome: Plastic

### IMPEDANCE

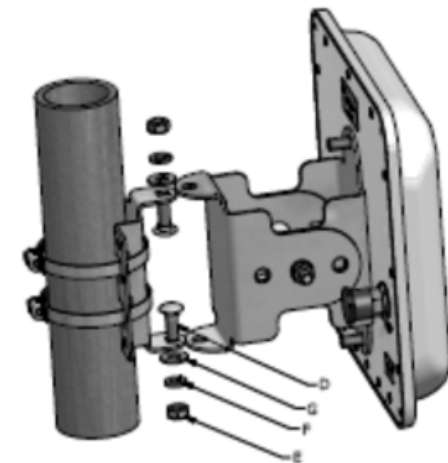
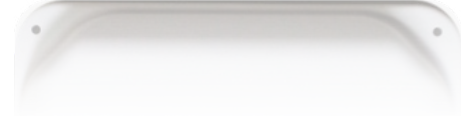
- 50 ohms

### CONNECTORS

- N-type female x4 (RF cables not included)

### MAXIMUM INPUT POWER

- 20 watts



### OPERATING TEMPERATURE

- -45°C to +75°C

### VSWR

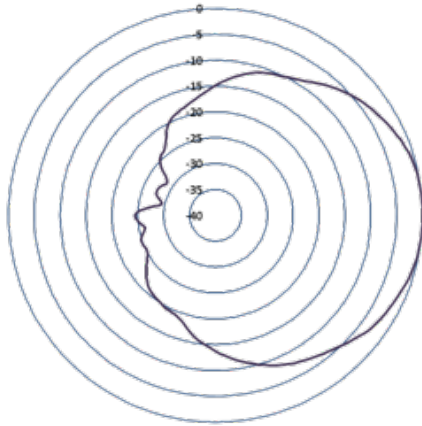
- 2:1 max

### INSTALLATION HARDWARE

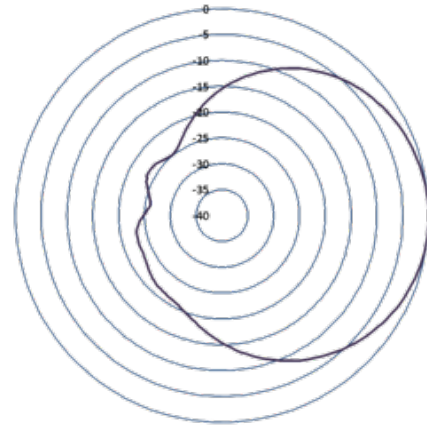
- Mount kit for wall and pole included

### ANTENNA PATTERN PLOTS

Vertical pattern

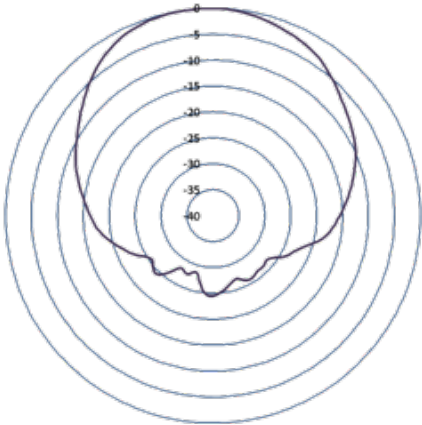


5.x GHz

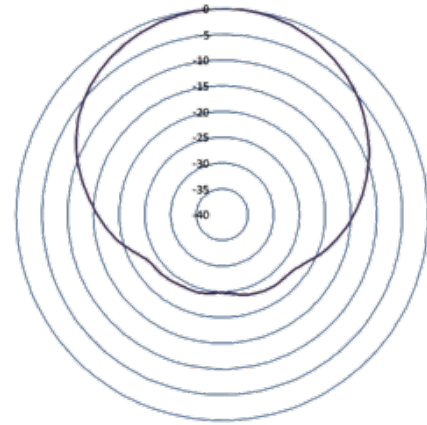


2.4 GHz

Horizontal pattern



5.x GHz



2.4 GHz

### ORDERING INFORMATION

Part Number	Description
Q8N51A	ANT-4x4-D608 4x4 2.4/5G 8dBi Panel